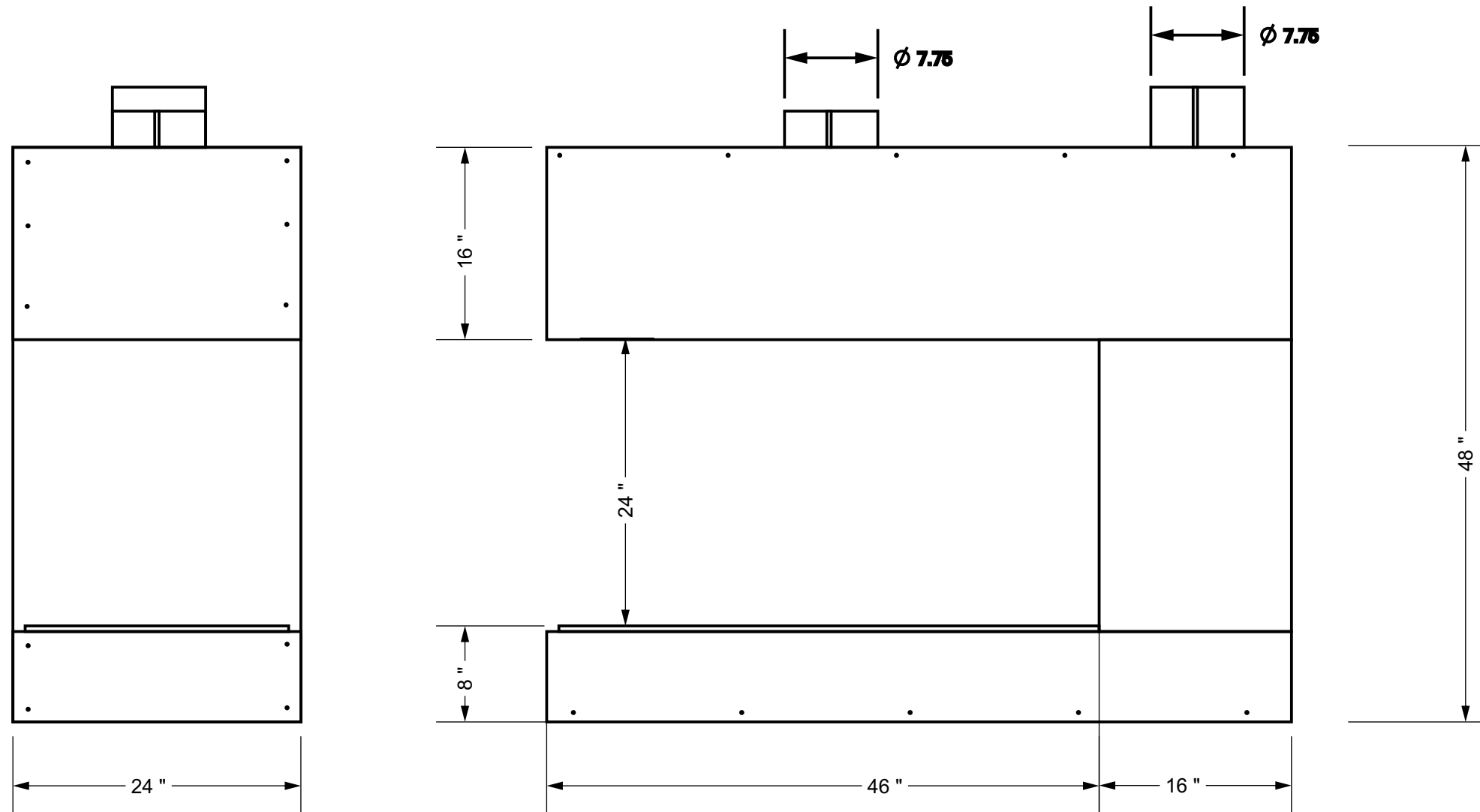


Dimensions are in inches
 All dimensions within +/- 1/16"
 Fireplace can be altered for
 custom sizing, enquire within.

GAS INPUT: 60,000 Btu/hr (NG or LP)
 POWER SUPPLY: 115VAC 15AMP
 GAS LINE CONNECTION: 1/2 NPT
 POWER VENT: CUSTOM



Proprietary and confidential

This drawing is for information only, to be used by the contractors as a general arrangement of interior conditions. Measurements are to be verified on project site, this drawing must be verified and approved prior to final detailing and fabrication. This drawing is the property of Fireplace Concepts North America and is not to be reproduced or copied in whole or in part. Any reproduction in part or as a whole without the written permission of Fireplace Concepts North America is prohibited.

<h1 style="margin: 0;">FIREPLACE CONCEPTS NORTH AMERICA</h1>		Date	05/18/2010	CUSTOM FIREPLACE PENINSULA	IDWG. NO. <h2 style="margin: 0;">PFC-46</h2>
		Drawn	AL		
		Checked		Sheet 1 of 1	Scale : 1" = 1'-0"